



Installation instructions, accessories

Volvo Car Corporation Gothenburg, Sweden

Instruction No	Version	Part. No.
31399078	1.2	31338968, 31338969, 31338970, 31338971, 31338972, 31338973, 31338974, 31338975

Mirrors, door



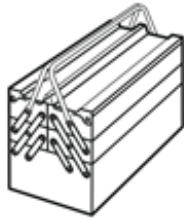
Installation instructions, accessories

Volvo Car Corporation Gothenburg, Sweden

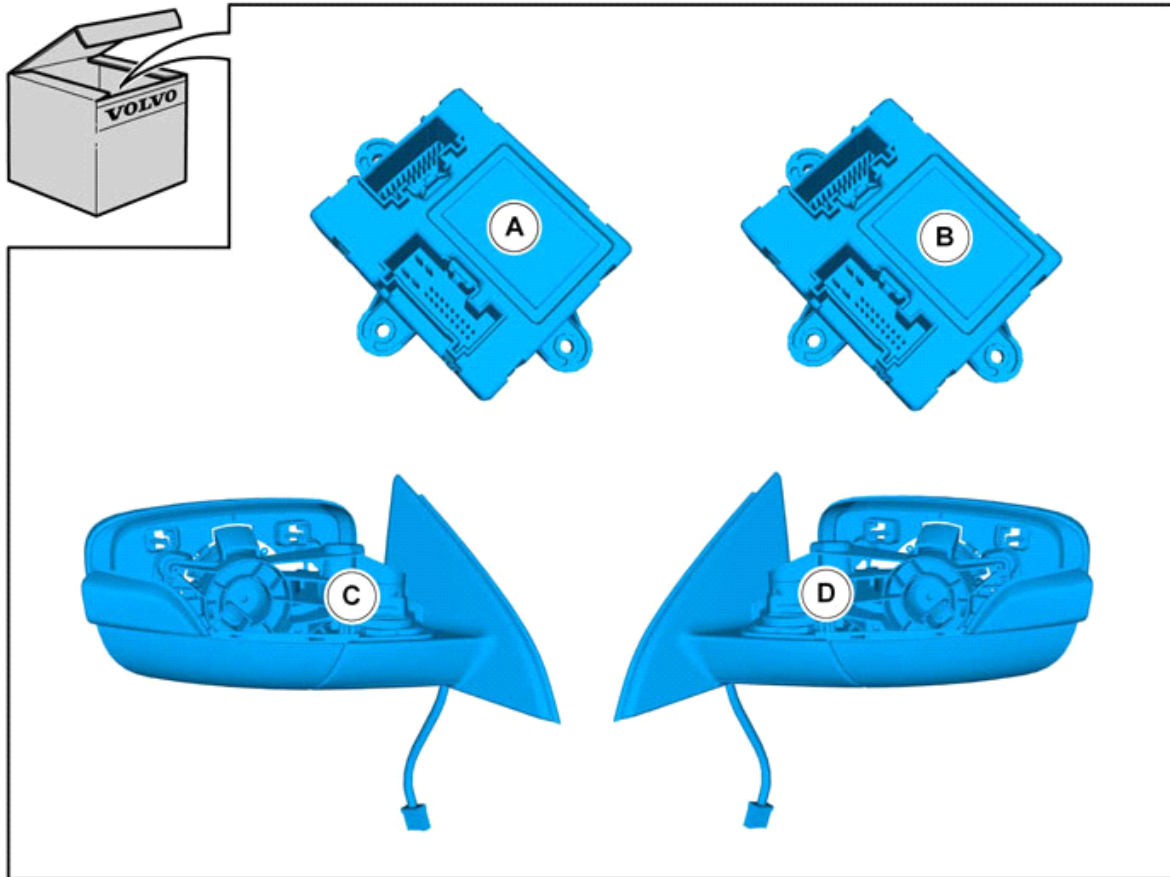
Equipment

VIDA

IMG-275777



A0000162



IMG-377293



Installation instructions, accessories

Volvo Car Corporation Gothenburg, Sweden

Information

1

Read through all of the instructions before starting installation.

Notifications and warning texts are for your safety and to minimise the risk of something breaking during installation.

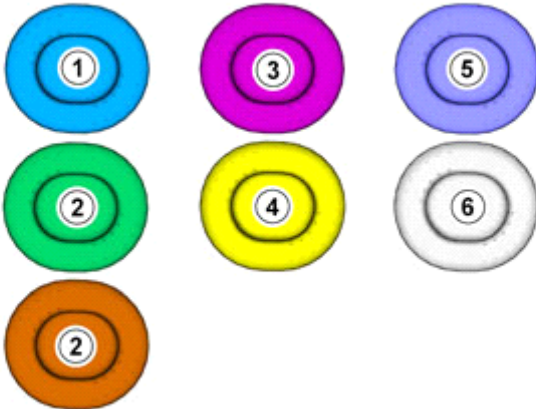
Ensure that all tools stated in the instructions are available before starting installation.

Certain steps in the instructions are only presented in the form of images. Explanatory text is also given for more complicated steps.

In the event of any problems with the instructions or the accessory, contact your local Volvo dealer.

Color symbols

2



IMG-363036

Note!

This colour chart displays (in colour print and electronic version) the importance of the different colours used in the images of the method steps.

1. Used for focused component, the component with which you will do something.
2. Used as extra colors when you need to show or differentiate additional parts.
3. Used for attachments that are to be removed/installed. May be screws, clips, connectors, etc.
4. Used when the component is not fully removed from the vehicle but only hung to the side.
5. Used for standard tools and special tools.
6. Used as background color for vehicle components.

Removal



Installation instructions, accessories

Volvo Car Corporation Gothenburg, Sweden

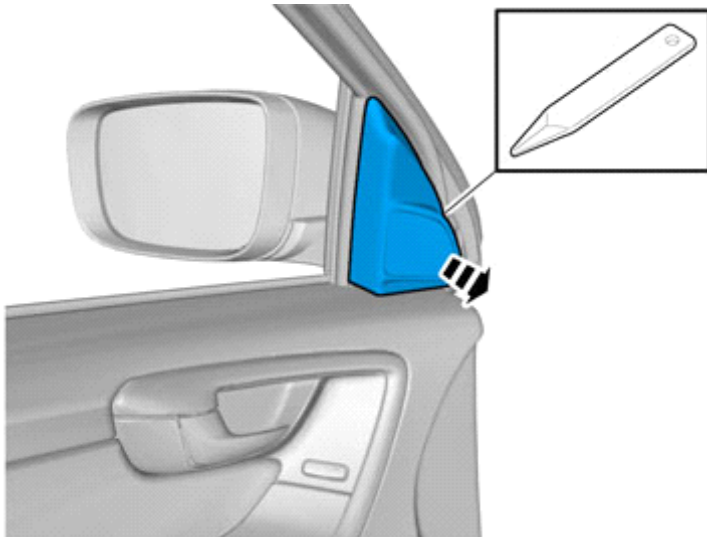
3

Set the ignition key to position 0.



IMG-332193

4

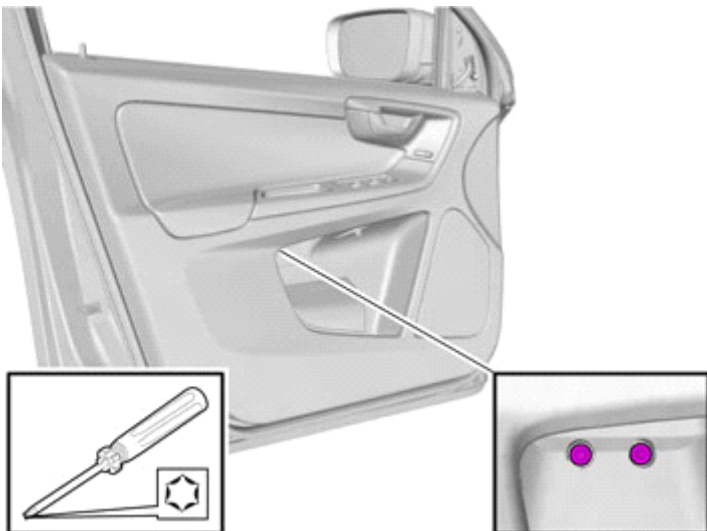


Remove the panel.

Disconnect any connector(s).

IMG-291683

5



Remove the screws.

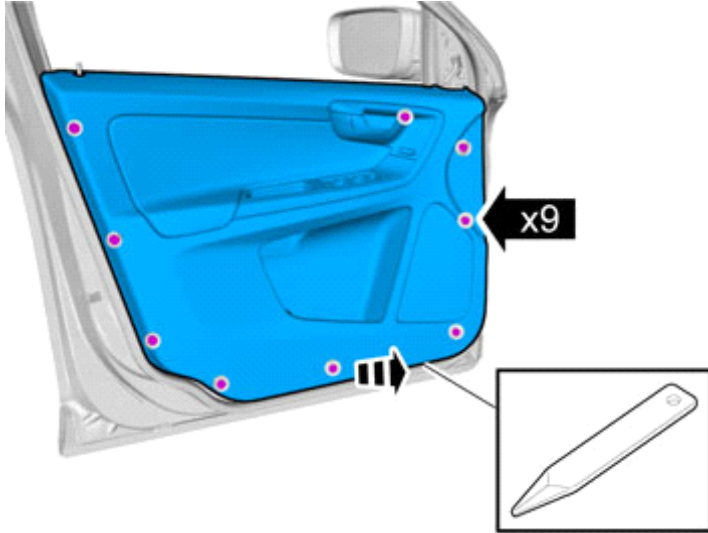
IMG-291685



Installation instructions, accessories

Volvo Car Corporation Gothenburg, Sweden

6



IMG-291686

Note!

The clips consist of two parts.

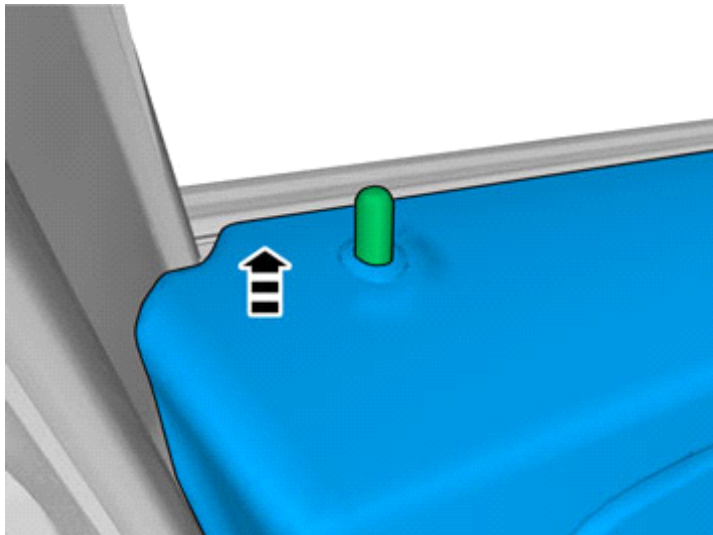
Detach the panel.

7



IMG-293283

8



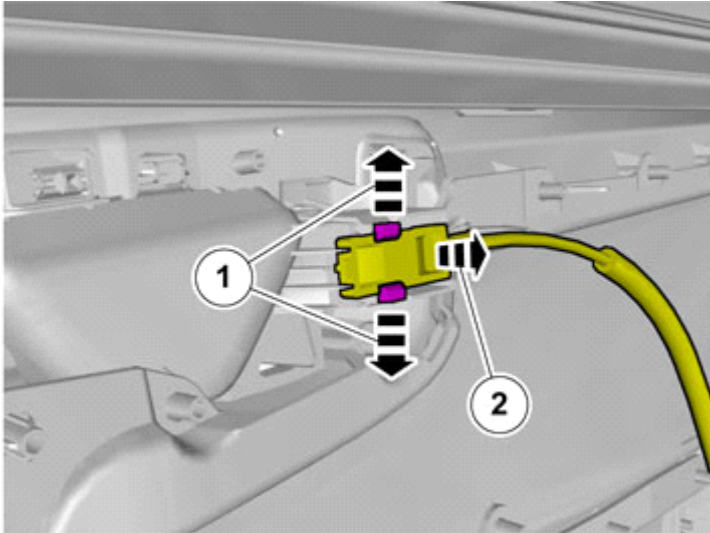
IMG-293284



Installation instructions, accessories

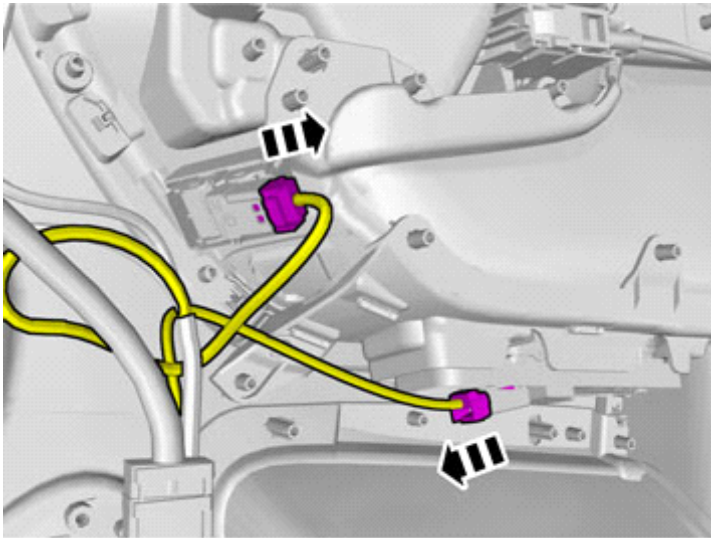
Volvo Car Corporation Gothenburg, Sweden

9



IMG-291687

10



IMG-291703

Disconnect the connectors.

11

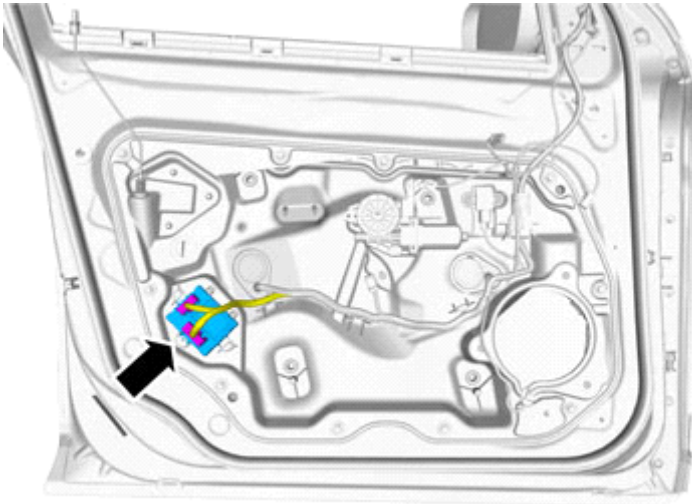
Applies when replacing the control module.



Installation instructions, accessories

Volvo Car Corporation Gothenburg, Sweden

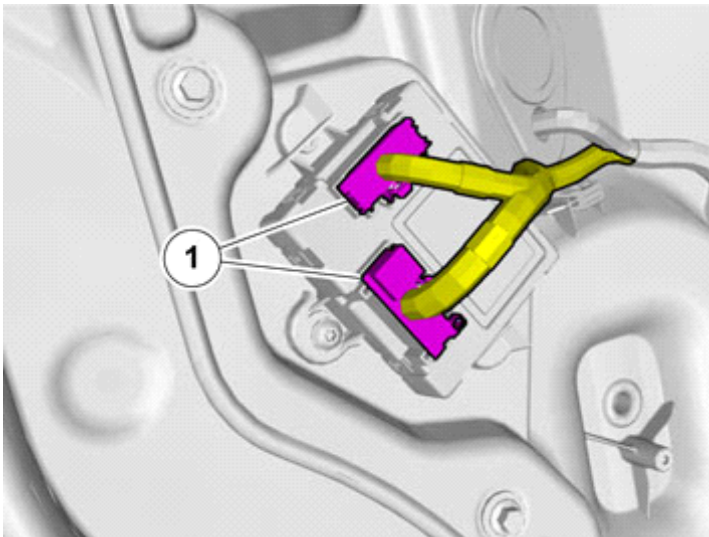
12



Note!
Orientation view

IMG-293285

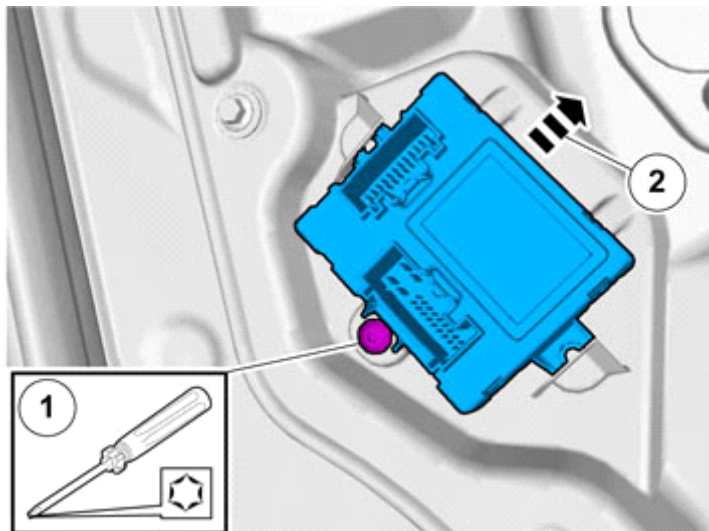
13



Disconnect the connectors.

IMG-291705

14

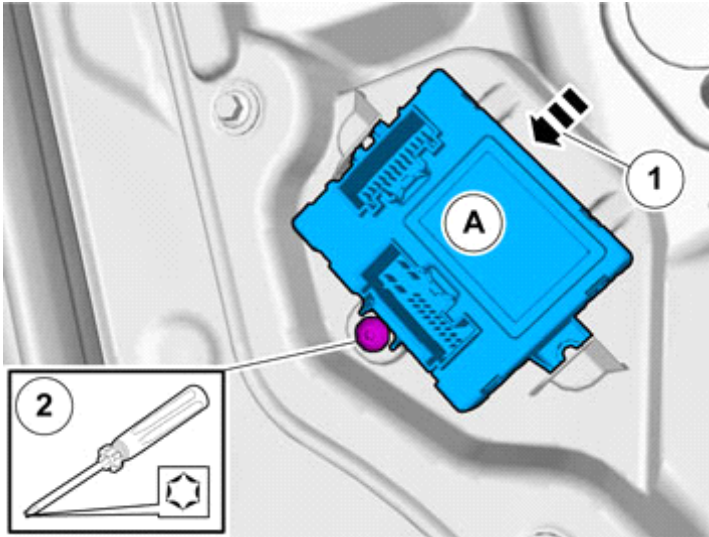


IMG-291723



Accessory installation

15



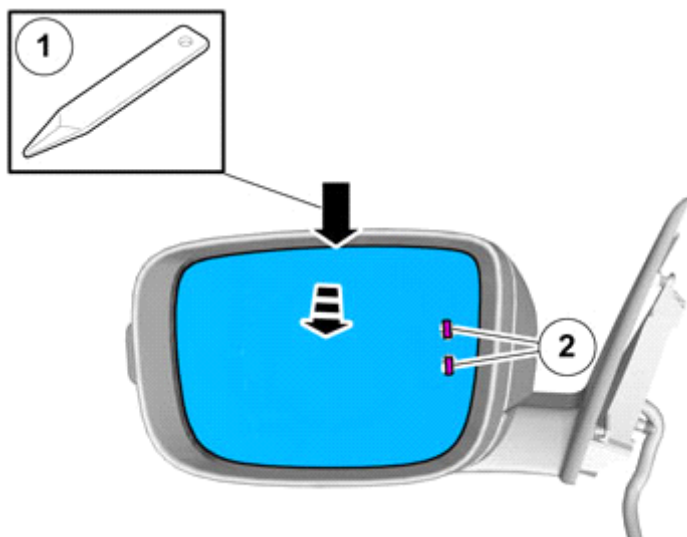
IMG-293286

Install component that comes with the accessory kit.

All vehicles

Removal

16



IMG-291724

Caution!

Observe caution, the glass breaks easily.

Remove the glass from the mirror.

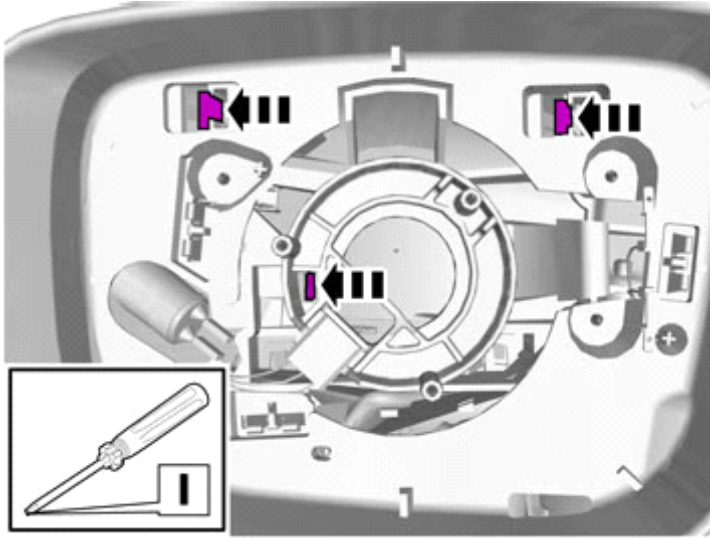
Disconnect the connectors.



Installation instructions, accessories

Volvo Car Corporation Gothenburg, Sweden

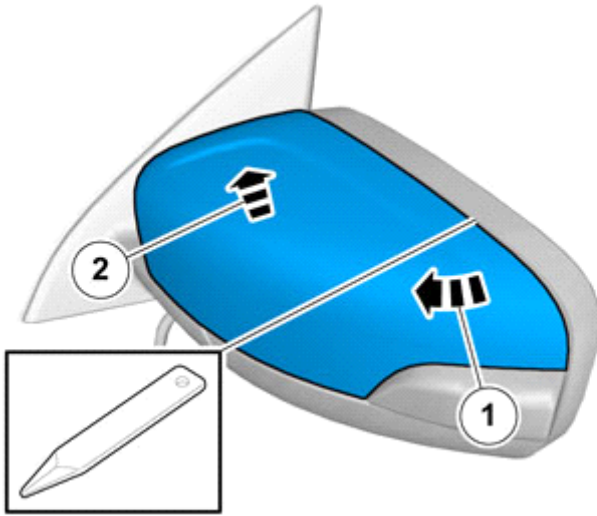
17



IMG-291726

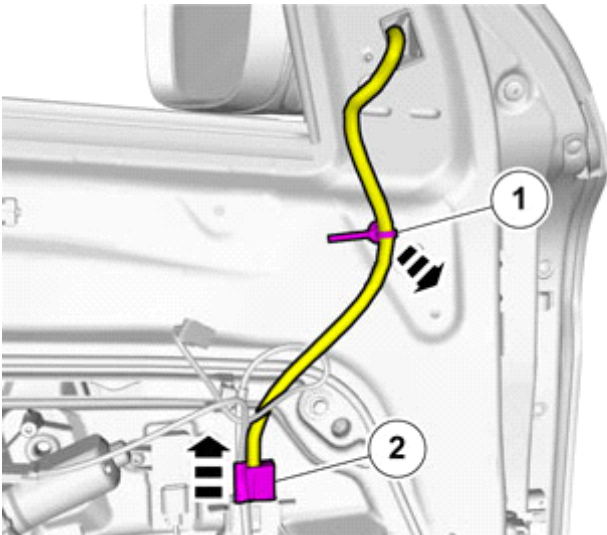
Release the catches.

18



IMG-291727

19



IMG-291728

1. Remove the cable tie(s).
2. Disconnect the connector.

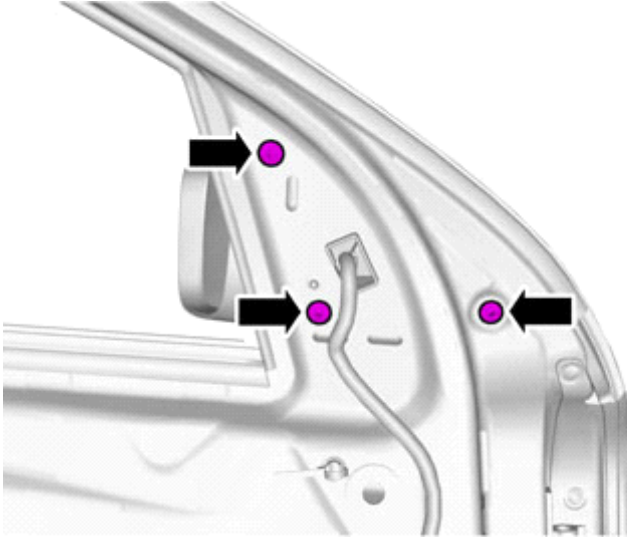


Installation instructions, accessories

Volvo Car Corporation Gothenburg, Sweden

20

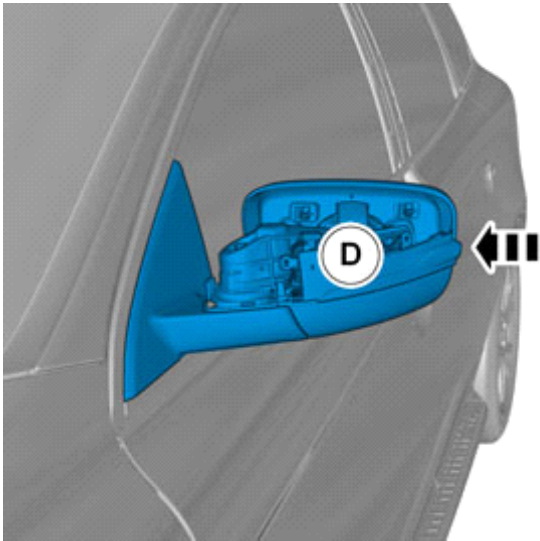
Remove the screws.



IMG-291729

Accessory installation

21



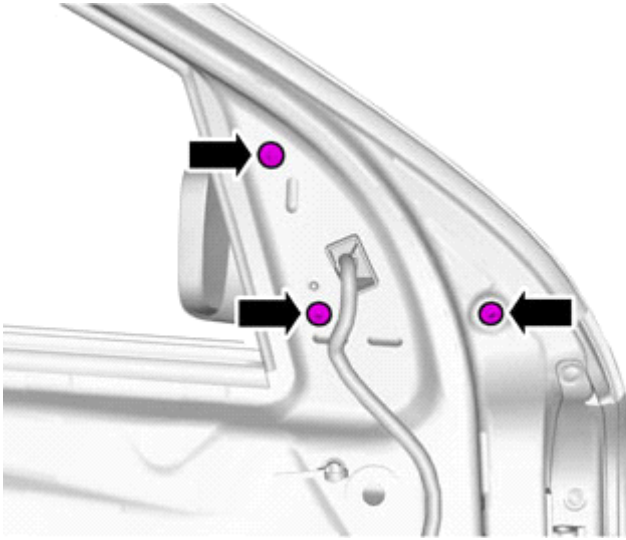
IMG-377283



Installation instructions, accessories

Volvo Car Corporation Gothenburg, Sweden

22



IMG-291729

Note!

The screws are self threading and can be difficult to screw in.

Tighten the bolts.

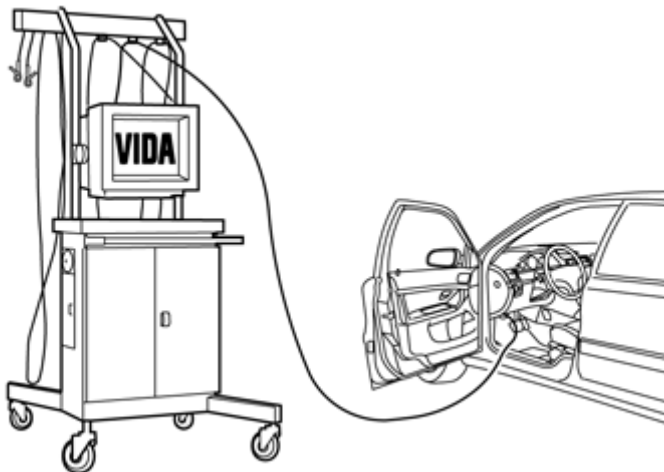
23

Reinstall the removed parts in reverse order.

Repeat all method steps for the other side.

IMG-377070

24



IMG-242268

Download software (application) for the accessory's function according to the service information in VIDA.



Installation instructions, accessories

Volvo Car Corporation Gothenburg, Sweden
